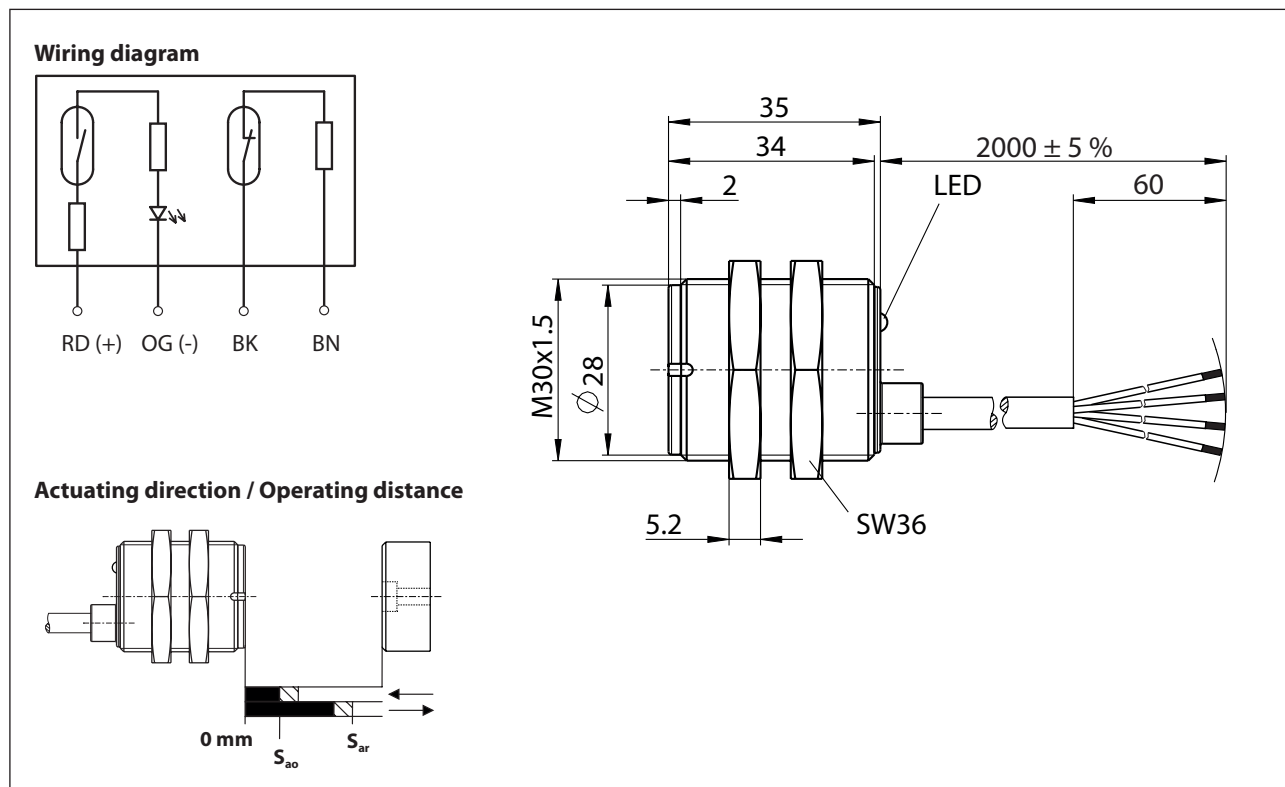


Coded Magnetic Switch

Series MAK-53

Description **MAK-5326-CD-2**

Article number **6490653416**



Technical data

Switching function	1 x NO contact, 1 x NC contact
Reference magnet	TK-53-CD/2 (6402053088)
Assured operating distance - ON	$S_{ao} \geq 5 \text{ mm}$
Assured operating distance - OFF	$S_{ar} \leq 14 \text{ mm}$
Repeat accuracy	R $\pm 0,1 \text{ mm}$, under same geometrical conditions at the same temperature
Utilization category	DC-12
Frequency of operating cycles	f 1 Hz

Electrical data


Max. voltage	30 V DC
Max. switching current	0,08 A
Max. switching capacity	0,25 W
Internal series resistors	27 Ω , per channel (+ LED series resistor)
Protection class acc. to EN IEC 61558	III (safety extra-low voltage)
Note	Combinations of switching voltage and switching current must not exceed the maximum switching capacity.

Mechanical data	
Enclosure	PBT, black (encapsulated reed contact)
For attachment	2 x hexagon nut (PA6.6, black)
Indication	1 x LED yellow, actuation status
Temperature range	- 5 °C ... + 70 °C (cable not fixed mounted) - 25 °C ... + 70 °C (cable fixed mounted)
Mechanical life	3 x 10 ⁸ operating cycles
Vibration	10 G (10 - 2000 Hz)
Shock	100 G (11 ms, ½ Sinewave)
Protection type	IP 67 acc. to EN 60529
Degree of pollution	3 acc. to 60947-1
Termination type	Cable 4 x AWG26; PVC - Outer jacket, black
Assembly position	optional (assembly on ferromagnetic material means reduction of switch distance)

ID for safety engineering	
B10d	20 x 10 ⁶ Zyklen (20 % load) 0,4 x 10 ⁶ Zyklen (nominal load)
Mission time	20 years

Standards	
	DIN EN ISO 13849-1
	EN 60947-5-3
Note	The standard EN 60947-5-3 is only complied with by a complete system consisting of coded magnetic switch with associated actuator and a suitable safety safety evaluation system.

EU Conformity	
	acc. to directive 2006/42/EC (Safety-of-Machinery-Directive)

Approvals	
	
	UL Listed, Ind. Cont. Eq. / Class 2 Power source

Notes	
Contact protection must be provided for inductive and capacitive loads.	